



Anti-Condensation Heating Elements

for ATEX/IECEX hazardous areas

ANTI-CONDENSATION

DEFROSTING

MAINTAINING A CONTINUOUS TEMPERATURE

The ATEX/IECEX anti-condensation heating elements by CETAL are a simple and effective solution for maintaining the temperature at the level required for the correct operating of a system in a carter or an enclosure.



ATEX



CE

ERC





The anti-condensation heating elements by CETAL are certified for operation in hazardous areas in zone 1 and 2. They are used for:

- Avoiding the dew point
- Freeze protection
- Temperature maintenance of equipment without casing
- Defrosting

They are designed and manufactured according to your specifications.

Specifications

- Self-regulation of the heating element temperature through limitation of the Watt density to 0.15 W/cm²
- A temperature control on the element is unnecessary
- T3 temperature class
- Marking: II 2 G Ex eb IIC Gb
- Max. temperature on the element: 200 °C (T3) at 40 °C ambient temperature
- Corrosion-resistant AISI 321 stainless steel tube material (1.4541)
- Tube diameter Ø 8.5 mm
- Supply voltage up to 400 V 1PH
- Easy mounting: direct voltage supply connection through wire
- Can be mounted in any position
- Bracket for casing mounting

Customizable features*

- Power / voltage supply
- The elements can be formed according to your specifications

* in compliance with the EC-type examination certificate and the IECEx certificate of conformity

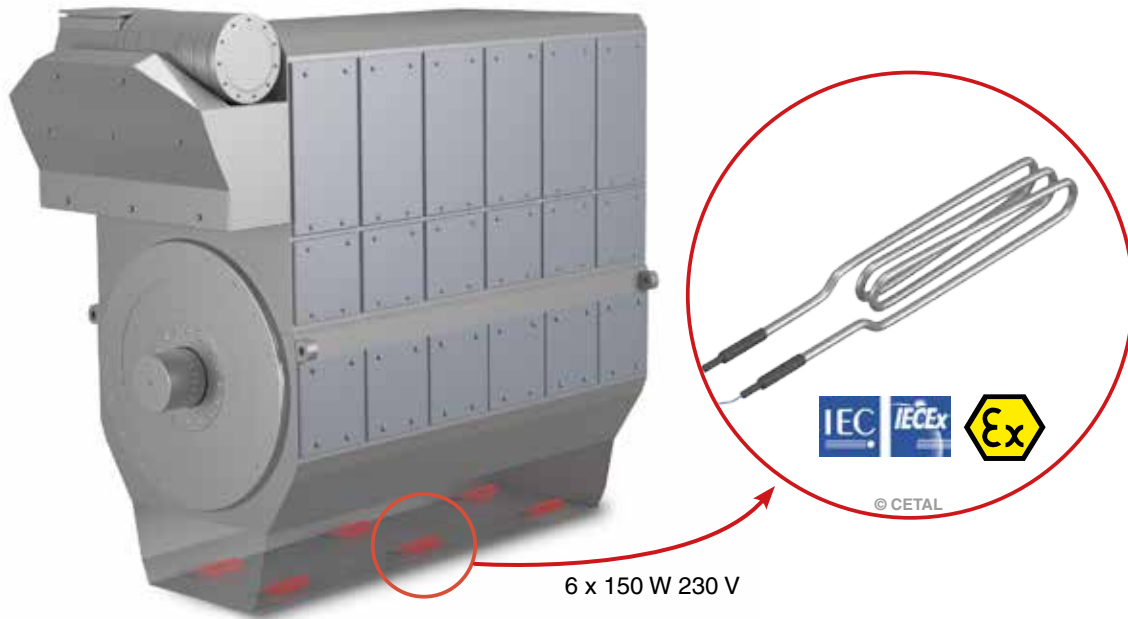
Certifications

- EC-type examination certificate LCIE 01ATEX 0009 U
- c CSA us
- EAC & CU TR (former GOST)
- BV marine standard cabling



Application example for temperature maintenance

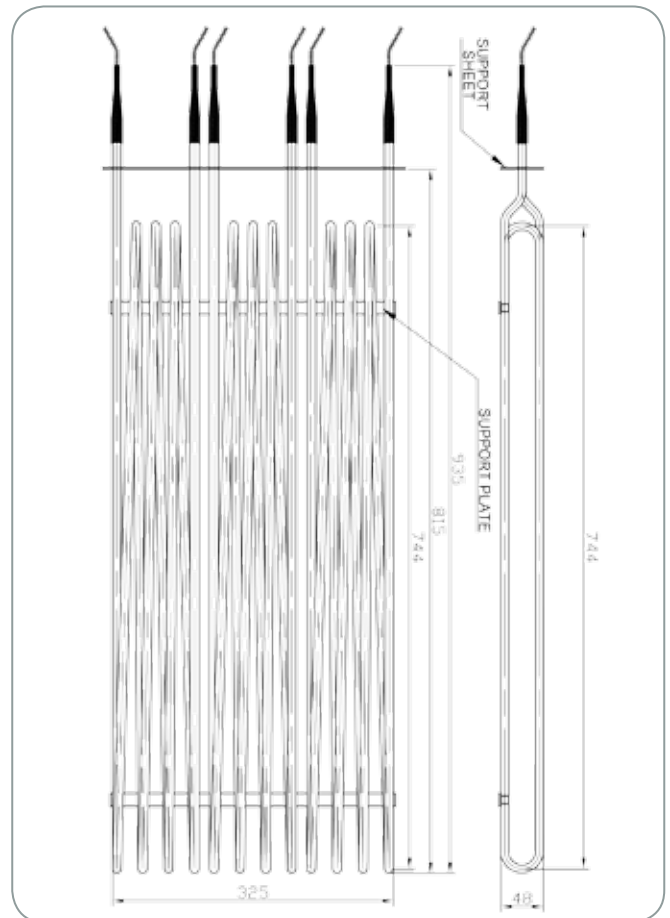
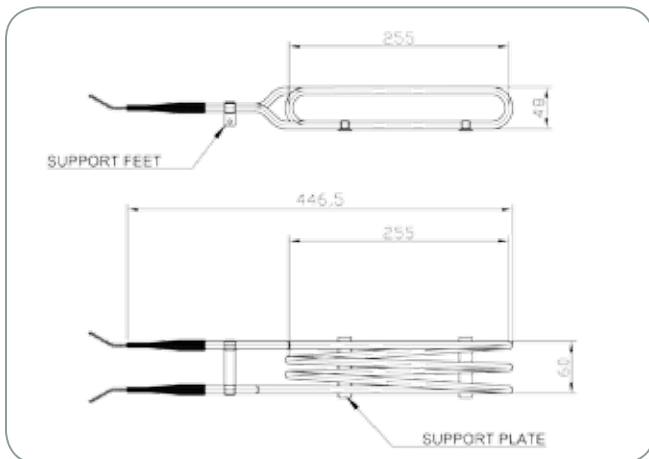
Anti-condensation elements in a motor casing



Examples of realisation

Watt density: 0.15 W/cm²
Power: 250 W 220 V 1PH

Watt density: 0.13 W/cm²
Power: 60 W 120 V 1PH



Rev 1.6

All CETAL products can be adapted to your specifications.

Contact us!



Flange immersion heaters



Screw plug immersion heaters



Removable immersion heaters



Circulation heaters



Cast line heaters



Air duct heaters



Industrial convectors



Formed elements



Cast elements



Ribbed heaters



Anti-condensation heating elements



Bolt heaters



Power control panels – Standard range

