

Multi-use Electrical Air Heaters



Multi-use electrical air heaters
for mobile or wall installation
FHA range, page 2



Electrical air heaters for mural
high-level fixed installation
FHB / FHC range, page 4



Multi-use electrical air heaters for mobile or wall installation, FHA range

Model FHA3_6 is only for mobile use or fixed installation at 1.8m minimum height. The rest of the range of FHA air heaters are for mobile use or fixed installation at any height of the wall.

If the FHA air heater is used as mural, it will fix on with the corresponding accessory. The wall fixing accessory allows the heater to be orientated in any direction thanks to its rotating capability up to 180°.

The FHA electric air heater complies with EN 60335-1 norm and its correspondent 2-30. It is a Class I electrical apparatus.

Model FHA3_6 is monophasic supply with earth connection. Model FHA3_6SN and FHA6SN is three-phase supply with earth connection.

Models FHA3_6B, FHA6, FHA9, FHA12 and FHA17 are three-phase supply with neutral and earth connection.

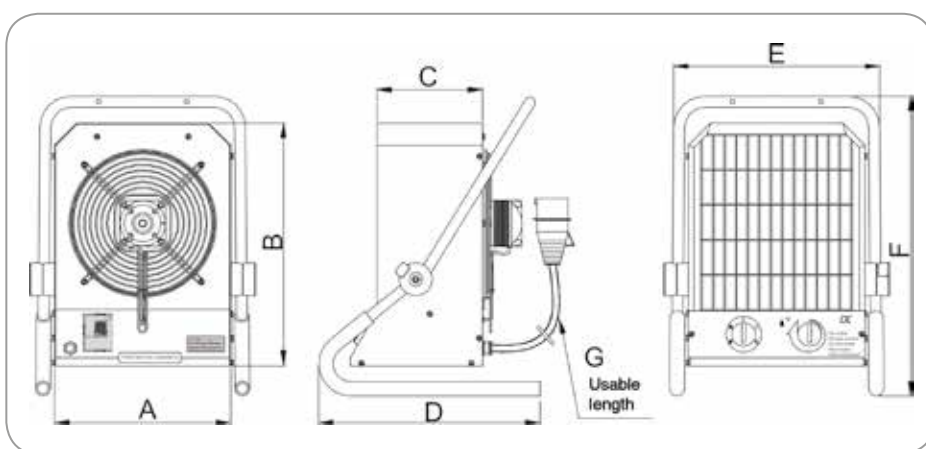
The FHA can be used as a mobile unit or as a fixed unit at any height of the wall. It allows the heat to be directed vertically or horizontally with the wall fixed accessory. The FHA range is accredited by the prestigious laboratories of certification LGAI and TÜV in which they incorporate their respective brands, with the exception of models FHA3_6SN, FHA3_6B and FHA6SN.

General characteristics

- Wide operation possibilities that allow optimisation according to working conditions: from one to three heating stages plus one single ventilation function
- Room temperature selector. (Max approx. 39 °C)
- All models with hose cable (length 1.7 ms FHA3_6 - 6 - 9 and length 2.1 m FHA12-17) and attachment plug type CETAC for the three-phase models and Schuko type of 16 A for model FHA3_6.
- 5 vertical positions
- The wall fixed accessory allows horizontal directioning of air heater in any direction wing to its capacity of swivelling 180°
- Manual reset over-temperature switch-off.
- Protecting grids that eliminate the risk of direct contact with the fan or indirect contact with the heater shield.
- Automatic function that eliminates the inertial heat of heating elements.
- Internal insulation chamber.

Model	Air flow m ³ /h (free discharge)	Heating power		Operating voltage V	Sound pressure level db	Operation					Weight in kg	
		Kw	Kcal/h			0 Stop	* Ventilation	0 1/3 Heating power	00 2/3 Heating power	000 Full Heating power	No case	Case
FHA3_6	210	3.6	3100	~230	≈50	According to operation	According to operation	---	2400 W	3600 W	8.3	9.7
FHA3_6SN	210	3.6	3100	3~400	≈50			1200 W	2400 W	3600 W	8.3	9.7
FHA3_6B	210	3.6	3100	3N~400	≈50			1200 W	2400 W	3600 W	8.3	9.7
FHA6SN	465	6	5160	3~400	≈50			2000 W	4000 W	6000 W	10.5	13.2
FHA6	465	6	5160	3N~400	≈50			2000 W	4000 W	6000 W	10.5	13.2
FHA9	975	9	7740	3N~400	≈45			3000 W	6000 W	9000 W	11.95	15.05
FHA12	1390	12	10320	3N~400	≈50			4000 W	8000 W	12000 W	17.75	22.55
FHA17	1390	17	14620	3N~400	≈50			5666 W	11333 W	17000 W	18.7	23.5

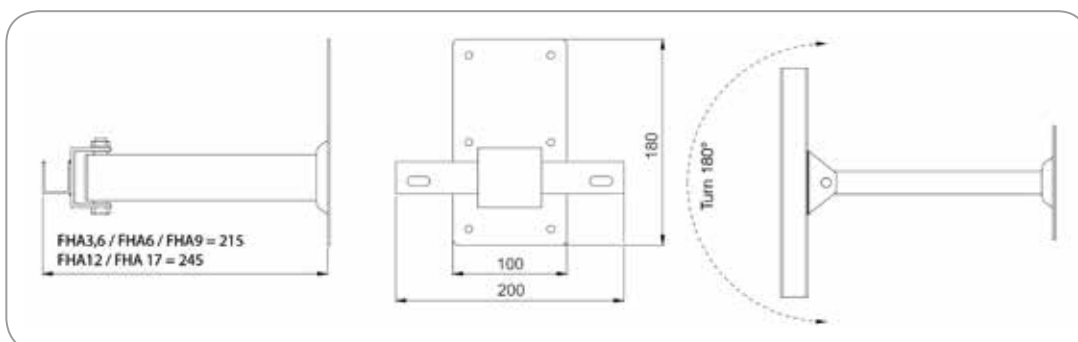
Model	Dimensions in mm						
	A	B	C	D	E	F	G
FHA3_6	220	338	172	349	274	445	1700
FHA3_6SN	220	338	172	349	274	445	1700
FHA3_6B	220	338	172	349	274	445	1700
FHA6SN	268	388	192	360	324	470	1700
FHA6	268	388	192	360	324	470	1700
FHA9	320	440	192	408	374	545	1700
FHA12	366	486	285	470	420	625	2100
FHA17	366	486	285	470	420	625	2100



Wall-fixed accessory for FHA models

The wall fixed accessory will allow you to easily install your FHA blow heater on the wall of your premises. Its 180° horizontal turning support together with the 5 different vertical orientation positions allows the current of hot air supplied by the FHA to be directed in the direction that you want.

Code	Description	Weight in kg	
		No case	Case
129098000	Wall fixed accessory for FHA3_6, FHA3_6SN, FHA3_6B, ANB6, FHA6SN and FHAB9	1.06	1.21
129130000	Wall fixed accessory for FHA12 and FHA17	1.02	1.29





Electrical air heaters for mural high-level fixed installation FHB and FHC range

A high-level fixed installation is an installation with a level not lower than 1.8 m above ground level, according to EN-60335-2-30.

General characteristics

- Fixed device high level wall installation.
- Advanced design casing, finished with paint dried at 150 °C.
- By means of a simple action on the side handle, you can vertically orientate the heater in four fixed positions.
- Protective front grill.
- Silent ventilator.
- Hot or cold air indicator.
- Safety manual reset thermostat.
- Ventilator motor integrated in the cabinet, with protective mesh preventing access to blades.
- Integrated earth connection.
- Maximum room temperature recommended: 40 °C
- All models, except the FHB4, are fitted with air temperature thermostat connection and switch operation connection.
- The FHB4 model is equipped with a connection cable, length 1100 mm
- RMO4 and RMO4A models are fitted with connection cable, length 1100 mm
- The FHB range incorporates NiCr wire alloy spiral batteries.
- The FHC range incorporates stainless steel tubular elements batteries.
- The FHC models incorporate an automatic function that after air temperature thermostat or safety thermostat shutdown, keeps the fan running while the heating elements are still hot.
- The complete range of FHB electric unit heaters, except the FHB4, allows a wide range of tailor-made automatic functions to be programmed using the junction box:
 - Temperature control using an external air temperature thermostat (on request).
 - Control of working times using a timer (on request).
 - Control of various air heaters through one single device

MODELS FHB

Code	Air flow m ³ /h (free discharge)	Heating power		(*) Operating voltage V	Sound pressure level db	Operation				Voltage change options	Recom mended height in m.	Weight kg
		KW	Kcal/h			N° Switches	Fan 1°	Heat 2°	kW 3°			
FHB4	430	3.6	3100	~ 230	≈50	3	Yes	1.8	1.8	---	1.8 to 2	7.7
FHB6	690	6	5160	3 ~ 400 star	≈50	2	Yes	6	-	~ 230 3 ~ 230 Δ 3 ~ 400 star	1.8 to 2.2	9.7
FHB9	875	9	7740	3 ~ 400 star	≈55	2	Yes	9	-	3 ~ 230 Δ 3 ~ 400 star	2 to 2.5	16.6
FHB13_5	1490	13.5	11610	3N ~ 400 star	≈60	2	Yes	13.5	-	3 ~ 230 Δ 3 ~ 400 star 3N ~ 400 star	2 to 3	23.8
FHB18	1490	18	15480	3N ~ 400 star	≈60	2	Yes	18	-	3 ~ 230 Δ 3 ~ 400 star 3N ~ 400 star	2 to 3	24.3

(*) The electric air heater is supplied connected to the operating voltage indicated. See table for options for change voltage

MODELS FHC

Code	Air flow m ³ /h (free discharge)	Heating power		(*) Operating voltage V	Sound pressure level db	Operation				Voltage change options	Recom- mended height in m.	Weight kg
		KW	Kcal/h			N° Switches	Fan 1°	Heat 2°	kW 3°			
FHC6	690	6	5160	3N ~ 400 star	≈50	2	Yes	6	-	~ 230 3 ~ 230 Δ 3N ~ 400 star	1.8 to 2.2	10.9
FHC9	875	9	7740	3N ~ 400 star	≈55	2	Yes	9	-	~ 230 3 ~ 230 Δ 3N ~ 400 star	2 to 2.5	18.1
FHC13_5	1490	13.5	11610	3N ~ 400 star	≈61	2	Yes	13.5	-	~ 230 3 ~ 230 Δ 3N ~ 400 star	2 to 3	26
FHC18	1490	18	15480	3N ~ 400 star	≈61	2	Yes	18	-	~ 230 3 ~ 230 Δ 3N ~ 400 star	2 to 3	26.5

(*) The electric air heater is supplied connected to the operating voltage indicated. See table for options for change voltage

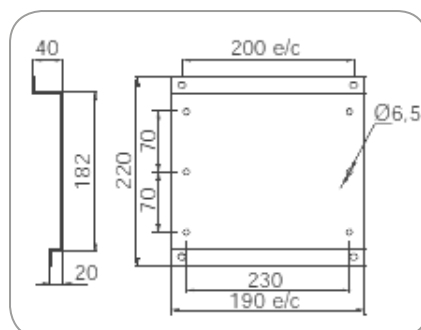
Dimensions of the air heaters FHB and FHC

Code	Dimensions in mm							
	A	B	C	D	E	F	G	H
FHB4	302	245	209	398	319	371	274	217
FHB6/FHC6	302	245	260	398	319	371	274	217
FHB9/FHC9	400	288	380	442	319	469	371	257
FHB13_5/FHC13_5	412	383	443	540	382	481	336	228
FHB18/FHC18	412	383	443	540	382	481	336	228

Wall support for the FHB and FHC range

Code	Description
129475000	Wall fixed accessory for FHB and FHC ranges

Note: The wall support kit includes all necessary accessories for its installation



All CETAL products can be adapted to your specifications.

Contact us!

Flange immersion heaters



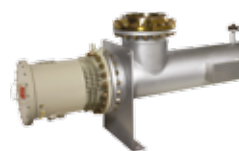
Screw plug immersion heaters



Removable immersion heaters



Circulation heaters



Cast line heaters



Air duct heaters



Industrial convectors



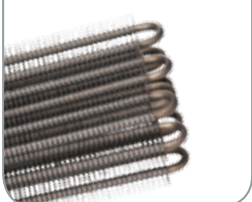
Formed elements



Cast elements



Ribbed heaters



Anti-condensation heating elements



Bolt heaters



Power control panels – Standard range

